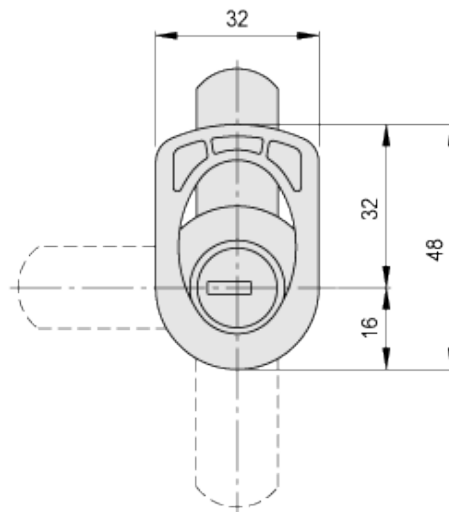
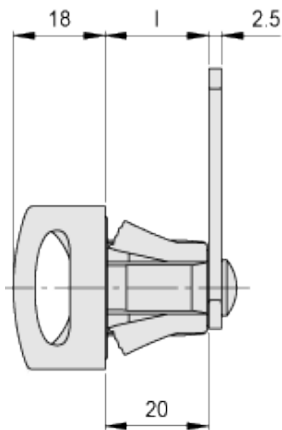


CSL.FM

Latches with handle
and lock



technical informations

Stator

Glass-fibre reinforced polyamide based (PA) technopolymer, black colour.

Rotor

Chrome-plated zinc alloy.

Front plate

Stainless steel.

Packing ring

Silicon directly applied onto the back side of the stator head.

Washer with elastic fixing wings

Zinc-plated steel.

Closing lever

Zinc-plated steel, 2.5 mm thickness.

Screw

M5x5 zinc-plated.

Two keys

Nickel-plated brass, removable in two positions at 180°.

Rotation

180°.

IP protection

IP 65 protection class, according to [IEC 529](#).

Standard executions

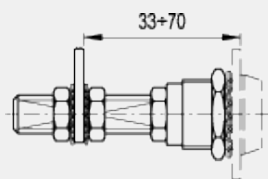
- CSL.: lock with 400 different combinations. Each lock has a couple of keys with different combination.
- CSLU.: lock with one combination. All locks have the same combination and can be opened with the same key.

Disassembly tool (to be ordered separately)

Code 421280 ATTREZZO CSL.FM in AISI 304 stainless steel.

Special executions and accessories

- Closing levers in other dimensions.
- Brass threaded extension for prolonged positioning of the lever, only for stator lengths $l_1 = 20, 25$ and 30 mm (code 421137 C.PQ M5/58).



Features

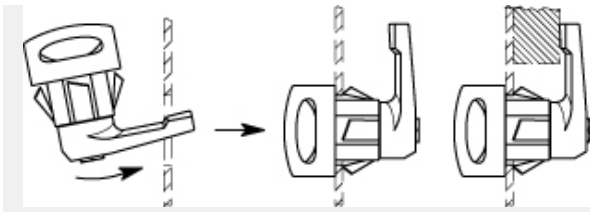
Quick assembly with steel plate thickness ranging from 1 to 2 mm latches.

Assembly instructions

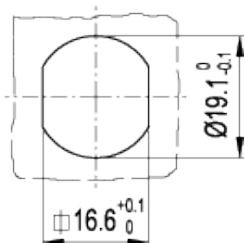
The latch is inserted in the mounting hole of the door on the lever side (see picture) until the wings of the elastic washer snap in, ensuring complete fastening.

The latches are supplied with assembled lever for faster mounting.

Where needed, the latch can be disassembled from the inside of the door by means of a disassembling tool (to be ordered separately).



Drilling template



Standard Elements		Main dimension	Weight
Code	Description	l	g
421281	CSL-FM-45-16	16	62
421282	CSL-FM-45-18	18	63
421283	CSL-FM-45-20	20	64
421284	CSL-FM-45-24	24	66
421285	CSL-FM-45-28	28	68
421286	CSL-FM-45-30	30	69
421287	CSL-FM-45-32	32	70
421291	CSLU-FM-45-16	16	62
421292	CSLU-FM-45-18	18	63
421293	CSLU-FM-45-20	20	64
421294	CSLU-FM-45-24	24	66
421295	CSLU-FM-45-28	28	68
421296	CSLU-FM-45-30	30	69
421297	CSLU-FM-45-32	32	70



ELESA-GANTER models all rights reserved in accordance with the law. Always mention the source when reproducing our drawings.

STANDARD MACHINE ELEMENTS WORLDWIDE