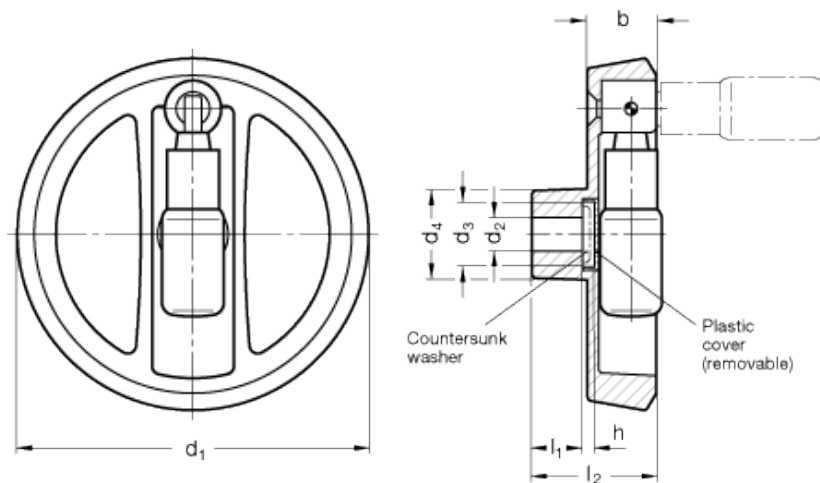


GN 924.3

Spoked handwheels with fold-away handle



technical informations

Material

Aluminium pressure die casting, hub machined, rim turned.

Colour

- Version SW: plastic coated, black RAL 9005, textured finish.
- Version SR: plastic coated, silver RAL 9006, textured finish.

Assembly

- Version B: hub with H7 tolerance plain hole.
 - Version K: hub with H7 reamed hole with keyway in compliance with [DIN 6885/1 P9 tolerance](#).
- For fixing GN 924.3 on shafts by a grub screw see [Technical Data](#).

Plastic cover

Polyamide based (PA) technopolymer, light-grey colour, push-fit assembly.

Fold-away handle

Type GN 798.3 in polyamide based (PA) technopolymer, black colour, matte finish. Resistant to solvents, oils, greases and other chemical agents. The two-volume special design of the handle provides the operator's hand with a safe and ergonomic grip when turning the handwheel.

Features and applications

Spoked handwheels GN 924.3 with fold-away handle are distinguished by modern design.

The handle in these handwheels is locked in a conical bore in the operating position. For reversal, it must first be pulled from the cone in axial direction.

A pressure spring holds the handle in both positions. When swung out, it automatically engages again.

Accessories on request

Axial retaining washer [GN 184](#).

Technical data

Axial and radial runout lower than 0.4.

| Standard Elements | Main dimensions | | | | | | Bore | | Handle | Recommended washer | Weight g |
|-----------------------|-----------------|----------------|----------------|----------------|---|----|------------------|------------------|----------------|--------------------|-------------|
| | Description | d ₁ | d ₃ | d ₄ | b | h | l ₂ ≈ | d _{2H7} | l ₁ | | |
| GN 924.3-125-B12-R-SW | 125 | 23 | 31 | 24.5 | 4 | 45 | 12 | 18 | 22 | GN 184-22 | 465 |
| GN 924.3-125-B12-R-SR | 125 | 23 | 31 | 24.5 | 4 | 45 | 12 | 18 | 22 | GN 184-22 | 465 |
| GN 924.3-125-K12-R-SW | 125 | 23 | 31 | 24.5 | 4 | 45 | 12 | 18 | 22 | GN 184-22 | 460 |
| GN 924.3-125-K12-R-SR | 125 | 23 | 31 | 24.5 | 4 | 45 | 12 | 18 | 22 | GN 184-22 | 460 |
| GN 924.3-125-B14-R-SW | 125 | 23 | 36 | 26 | 4 | 47 | 14 | 19 | 24 | GN 184-22 | 600 |
| GN 924.3-125-B14-R-SR | 125 | 23 | 31 | 24.5 | 4 | 45 | 14 | 18 | 22 | GN 184-22 | 450 |
| GN 924.3-125-K14-R-SW | 125 | 23 | 31 | 24.5 | 4 | 45 | 14 | 18 | 22 | GN 184-22 | 440 |
| GN 924.3-125-K14-R-SR | 125 | 23 | 31 | 24.5 | 4 | 45 | 14 | 18 | 22 | GN 184-22 | 440 |
| GN 924.3-140-B14-R-SW | 140 | 23 | 36 | 26 | 4 | 47 | 14 | 19 | 24 | GN 184-22 | 600 |
| GN 924.3-140-B14-R-SR | 140 | 23 | 36 | 26 | 4 | 47 | 14 | 19 | 24 | GN 184-22 | 600 |
| GN 924.3-140-K14-R-SW | 140 | 23 | 36 | 26 | 4 | 47 | 14 | 19 | 24 | GN 184-22 | 590 |
| GN 924.3-140-K14-R-SR | 140 | 23 | 36 | 26 | 4 | 47 | 14 | 19 | 24 | GN 184-22 | 590 |
| GN 924.3-140-B16-R-SW | 140 | 23 | 36 | 26 | 4 | 47 | 16 | 19 | 24 | GN 184-22 | 600 |
| GN 924.3-140-B16-R-SR | 140 | 23 | 36 | 26 | 4 | 47 | 16 | 19 | 24 | GN 184-22 | 600 |
| GN 924.3-140-K16-R-SW | 140 | 23 | 36 | 26 | 4 | 47 | 16 | 19 | 24 | GN 184-22 | 590 |
| GN 924.3-140-K16-R-SR | 140 | 23 | 36 | 26 | 4 | 47 | 16 | 19 | 24 | GN 184-22 | 590 |
| GN 924.3-160-B14-R-SW | 160 | 23 | 36 | 26 | 4 | 48 | 14 | 20 | 24 | GN 184-22 | 700 |
| GN 924.3-160-B14-R-SR | 160 | 23 | 36 | 26 | 4 | 48 | 14 | 20 | 24 | GN 184-22 | 700 |
| GN 924.3-160-K14-R-SW | 160 | 23 | 36 | 26 | 4 | 48 | 14 | 20 | 24 | GN 184-22 | 690 |
| GN 924.3-160-K14-R-SR | 160 | 23 | 36 | 26 | 4 | 48 | 14 | 20 | 24 | GN 184-22 | 690 |
| GN 924.3-160-B16-R-SW | 160 | 23 | 36 | 26 | 4 | 48 | 16 | 20 | 24 | GN 184-22 | 700 |
| GN 924.3-160-B16-R-SR | 160 | 23 | 36 | 26 | 4 | 48 | 16 | 20 | 24 | GN 184-22 | 700 |
| GN 924.3-160-K16-R-SW | 160 | 23 | 36 | 26 | 4 | 48 | 16 | 20 | 24 | GN 184-22 | 690 |
| GN 924.3-160-K16-R-SR | 160 | 23 | 36 | 26 | 4 | 48 | 16 | 20 | 24 | GN 184-22 | 690 |
| GN 924.3-200-B18-R-SW | 200 | 23 | 42 | 27 | 4 | 53 | 18 | 24 | 25 | GN 184-22 | 900 |
| GN 924.3-200-B18-R-SR | 200 | 23 | 42 | 27 | 4 | 53 | 18 | 24 | 25 | GN 184-22 | 900 |
| GN 924.3-200-B20-R-SR | 200 | 23 | 42 | 27 | 4 | 53 | 18 | 24 | 25 | GN 184-22 | 900 |
| GN 924.3-200-K18-R-SW | 200 | 23 | 42 | 27 | 4 | 53 | 18 | 24 | 25 | GN 184-22 | 890 |

| | | | | | | | | | | | |
|-----------------------|-----|----|----|----|---|----|----|----|----|-----------|------|
| GN 924.3-200-K18-R-SR | 200 | 23 | 42 | 27 | 4 | 53 | 18 | 24 | 25 | GN 184-22 | 890 |
| GN 924.3-200-B20-R-SW | 200 | 23 | 42 | 27 | 4 | 53 | 20 | 24 | 25 | GN 184-22 | 1650 |
| GN 924.3-200-B20-R-SR | 200 | 23 | 42 | 27 | 4 | 53 | 20 | 24 | 25 | GN 184-22 | 1650 |
| GN 924.3-200-K20-R-SW | 200 | 23 | 42 | 27 | 4 | 53 | 20 | 24 | 25 | GN 184-22 | 1640 |
| GN 924.3-200-K20-R-SR | 200 | 23 | 42 | 27 | 4 | 53 | 20 | 24 | 25 | GN 184-22 | 1640 |

This product had the following design awards:



STANDARD MACHINE ELEMENTS WORLDWIDE