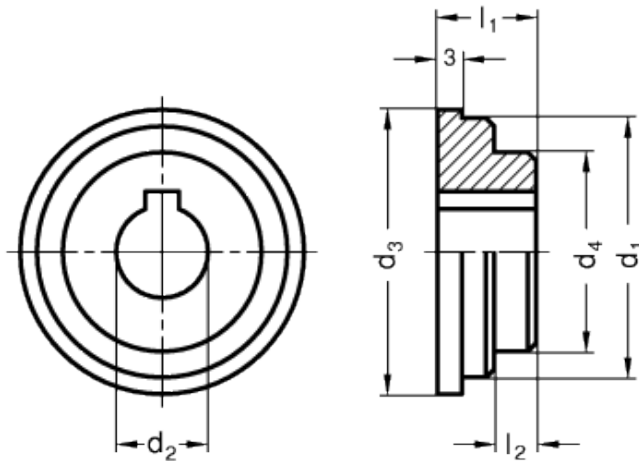
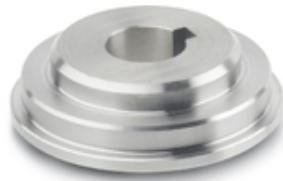


GN 268

Collar bushes



technical informations

Material
Blank steel.

| Standard Elements | Main dimensions | | | | | Bore | Scaling set consists of: 2 Collar bushes GN 268 | | Weight |
|-------------------|-----------------|----------------|----------------|----------------|----------------|------------------|---|----------------|--------|
| Description | d ₁ | d ₃ | d ₄ | l ₁ | l ₂ | d _{2H7} | 1 Scale ring | 3 Flat springs | g |
| GN 268-24-K12 | 24 | 26.7 | 18 | 13.5 | 5.5 | K12 | GN 264-30 | GN 374-0,3-10 | 28 |
| GN 268-32-K12 | 32 | 35.7 | 25 | 13.5 | 5.5 | K12 | GN 264-40 | GN 374-0,4-10 | 57 |
| GN 268-32-K14 | 32 | 35.7 | 25 | 13.5 | 5.5 | K14 | GN 264-40 | GN 374-0,4-10 | 58 |
| GN 268-32-K16 | 32 | 35.7 | 25 | 13.5 | 5.5 | K16 | GN 264-40 | GN 374-0,4-10 | 51 |
| GN 268-50-K12 | 50 | 54.7 | 38 | 14.5 | 5.5 | K12 | GN 264-60 | GN 374-0,6-10 | 177 |
| GN 268-50-K16 | 50 | 54.7 | 38 | 14.5 | 5.5 | K16 | GN 264-60 | GN 374-0,6-10 | 169 |
| GN 268-50-K20 | 50 | 54.7 | 38 | 14.5 | 5.5 | K20 | GN 264-60 | GN 374-0,6-10 | 153 |

| | | | | | | | | | |
|---------------|----|------|----|------|-----|-----|-----------|---------------|-----|
| GN 268-50-K28 | 50 | 54.7 | 38 | 14.5 | 5.5 | K28 | GN 264-60 | Gn 374-0,6-10 | 119 |
| GN 268-68-K12 | 68 | 74.7 | 50 | 14.5 | 5.5 | K12 | GN 264-80 | GN 374-0,8-10 | 334 |
| GN 268-68-K14 | 68 | 74.7 | 50 | 14.5 | 5.5 | K14 | GN 264-80 | GN 374-0,8-10 | 300 |
| GN 268-68-K16 | 68 | 74.7 | 50 | 14.5 | 5.5 | K16 | GN 264-80 | GN 374-0,8-10 | 325 |
| GN 268-68-K22 | 68 | 74.7 | 50 | 14.5 | 5.5 | K22 | GN 264-80 | GN 374-0,8-10 | 304 |



ELESA and GANTER models all rights reserved in accordance with the law. Always mention the source when reproducing our drawings.

STANDARD MACHINE ELEMENTS WORLDWIDE