

# ERB-PF

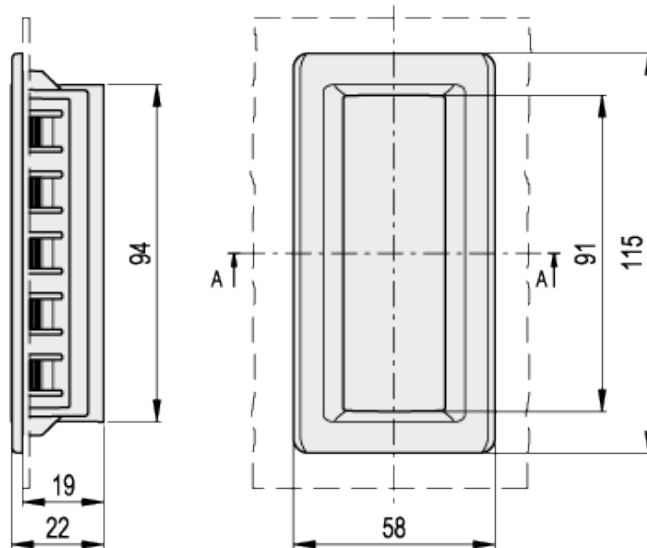
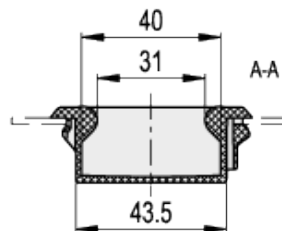
Bi-directional flush pull handles snap-in assembly



ELESA Original design



CLEAN



## technical informations

### Material

Glass-fibre reinforced polyamide based (PA) technopolymer.

### Standard executions

- ERB-PF: grey-black colour, matte finish.
- ERB-PF-CLEAN: white colour similar to RAL 9002, matte finish.

## Features and applications

ERB-PF bi-directional flush pull handles are suitable to open and close sliding doors. The ergonomics of the cavity offers a safe and comfortable grip.

ERB-CLEAN in white colour is suitable for applications on medical and hospital equipment and food processing machines.

## Assembly instructions

1. Drill the handle housing according to the template dimensions reported in the table.
2. Remove all drilling burrs before fitting the handle.
3. Fit the side of the handle with fixed toothings into the housing (Fig. 1).
4. Press onto the opposite side (elastic toothings) until the handle is completely snapped in (Fig. 2).

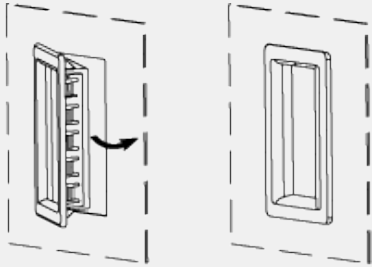
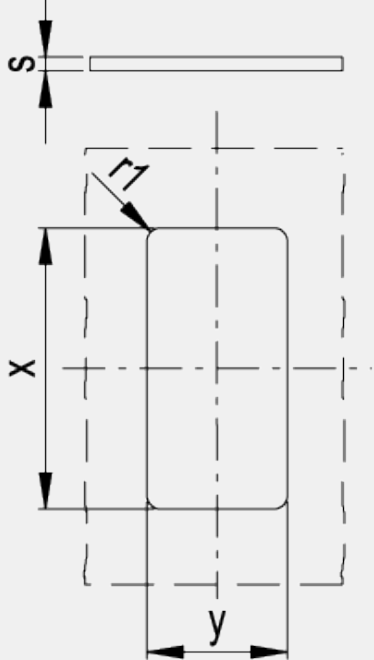


Fig.1

Fig.2

### Drilling template



s	x	y
0.7÷1	105,3+0,2	51,4+0,2
1÷1.5	105,3+0,2	51,7+0,2
1.5÷2.2	105,3+0,2	52,0+0,2

Standard Elements		Weight
Code	Description	g
261401-C1	ERB.115-PF-C1	42
151301	ERB.115-PF CLEAN	42



ELESA and GANTER models all rights reserved in accordance with the law. Always mention the source when reproducing our drawings.

**STANDARD MACHINE ELEMENTS WORLDWIDE**