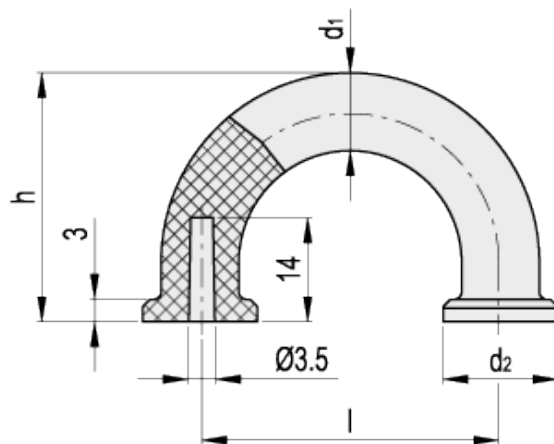


MFH

Finger handles



technical informations

Material

Polyamide based (PA) technopolymer. Resistant to solvents, oils, greases and other chemical agents.

Standard executions

Blind holes for fitting by means of no. 2 self-tapping screws for plastic materials Ø3.5 (UNI ISO 7049), not included in the supply.

Maximum tightening torque of the self-tapping screws 1,2 [Nm].

- MFH-AF: in 4 standard colours: black, orange, grey, red, matte finish.
- MFH-AF-CLEAN: white colour similar to RAL 9002, matte finish.
- MFH-CR: chrome-plated, glossy finish.

Chemical agents resistance (for MFH-CR)

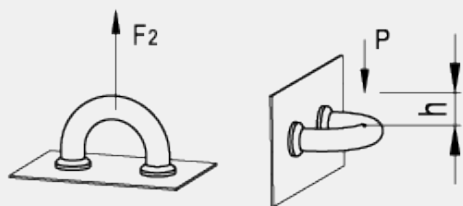
The chrome-plating makes the surface finish semi-glossy and homogeneous to facilitate cleaning operations.

The chrome-plated surface is resistant to wear, scrapes and shocks.

Laboratory tests carried out at ambient temperature (23°C) proved the resistance of the latch surface to: detergents, acetone, ethyl alcohol, formic acid, chlorine solutions.

Technical data

Tensile stress and impact strength: the values F2 and L1 indicated in the table were obtained during breaking tests carried out with the appropriate dynamometric equipment under the test conditions shown in the figure with ambient temperature.



$$L1 [J] = P [N] \cdot h [m]$$

* Complete with colour index, example: 138201-C2 MFH-30-AF 3,5-C2



Standard Elements		Main dimensions				F2	L1	Weight
Code	Description	l	d ₁	d ₂	h	[N]	[J]	g
138201-*	MFH-30-AF 3.5-*	29.5	9	12	27	2300	6	6
138221-*	MFH-40-AF 3.5-*	39.5	10	15	33.5	2300	10	9

Standard Elements		Main dimensions				F2	L1	Weight
Code	Description	l	d ₁	d ₂	h	[N]	[J]	g
151456	MFH-30-AF 3.5 CLEAN	29.5	9	12	27	2300	6	6
151458	MFH-40-AF 3.5 CLEAN	39.5	10	15	33.5	2300	10	9

Standard Elements		Main dimensions				F2	L1	Weight
Code	Description	l	d ₁	d ₂	h	[N]	[J]	g
152501	MFH-30-AF 3.5-CR	29.5	9	12	27	2300	6	6
152511	MFH-40-AF 3.5-CR	39.5	10	15	33.5	2300	10	9



ELESA and GANTER models all rights reserved in accordance with the law. Always mention the source when reproducing our drawings.

STANDARD MACHINE ELEMENTS WORLDWIDE