

ZCR Racks

Technopolymer, pressure angle 20°



Main specifications

Material

Glass-fibre reinforced polyamide-based (PA) technopolymer, grey colour.

Standard executions

- **ZCR**: square section racks.
- **ZCR-A**: square section racks with steel core.
- **ZCR-PL**: racks with mounting bracket for mounting on a plane parallel to teeth.
- **ZCR-PD**: racks with mounting bracket for mounting on a plane perpendicular to teeth.
- **ZCR-T**: "T" shape racks.

General information

Features

The loads reported in the tables indicate the maximum load that can be applied on a single tooth.

The alignment between two or more racks is granted only for the execution ZCR-A with module 1.0 – 1.5 – 2.0 – 4.0.

Technical data

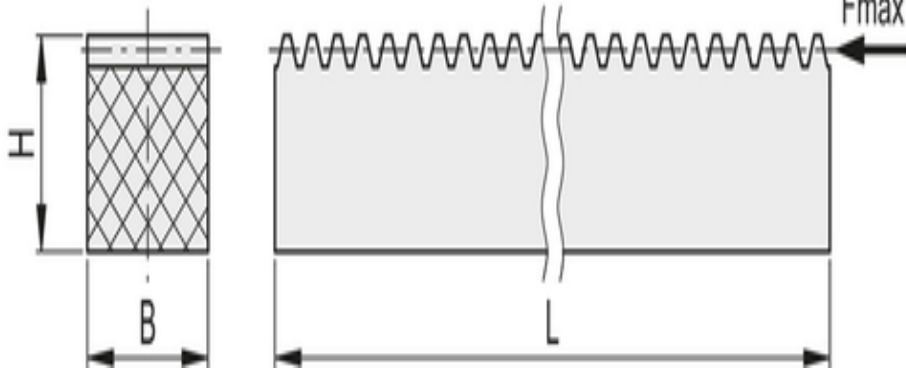
See: [Transmission elements](#).

Other executions

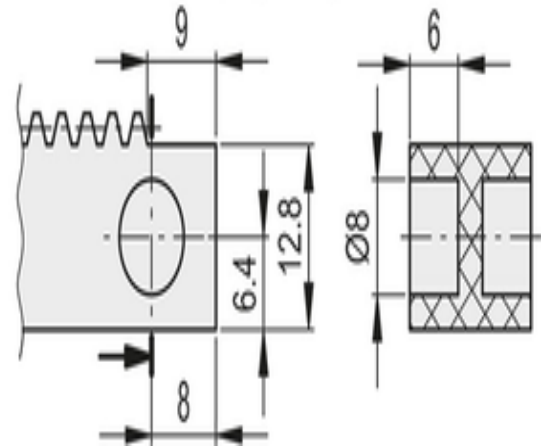
Special executions on request

Special lengths on request. On special lengths the meshing is not granted in case of alignment.

ZCR (M = 0.5)



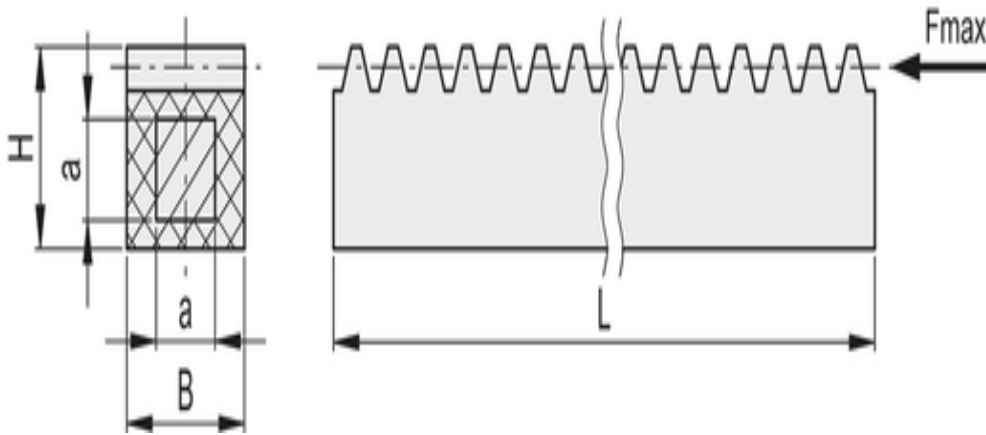
ZCR (M = 1)



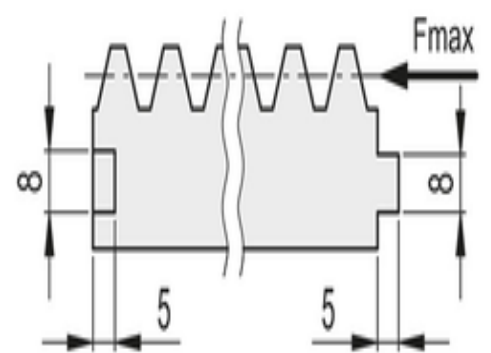
ZCR

Code	Description	Module M	L	L#	B	H	Fmax [N]	Weight
552001	ZCR-0.5-250	0.5	251	251	8	8	99	19
552011	ZCR-1.0-150	1.0	166	156	15	15	372	49
552021	ZCR-1.0-250	1.0	265	256	15	15	372	80

ZCR-A (M ≤ 3)

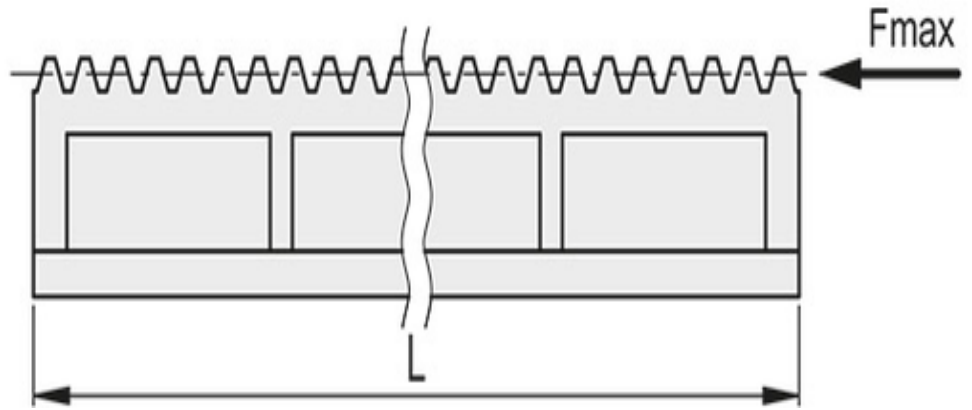
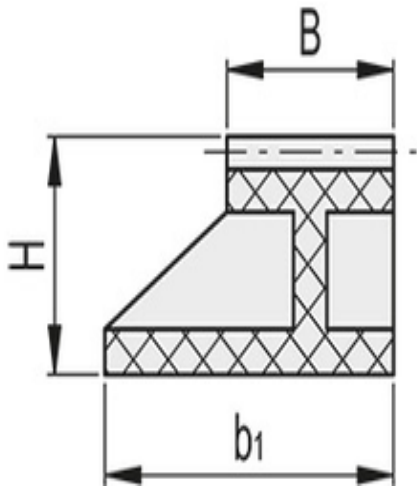


ZCR-A (M = 4)



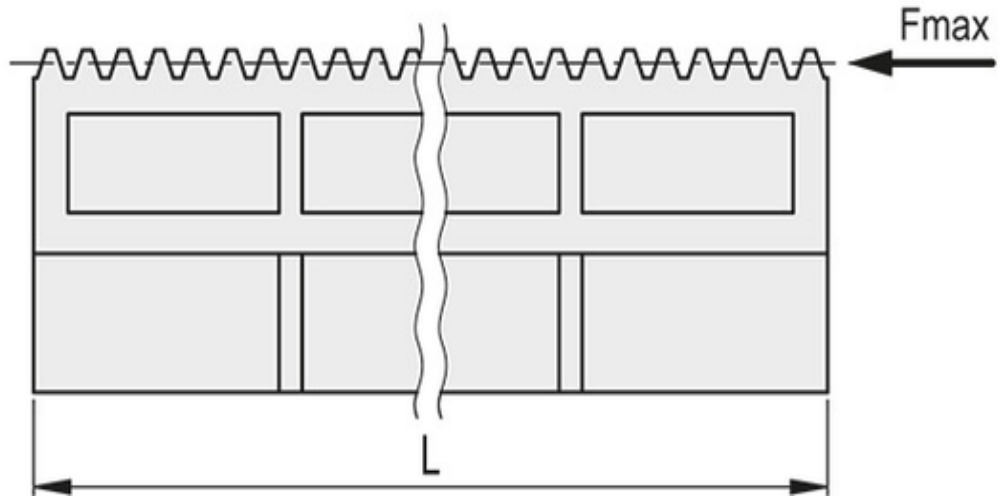
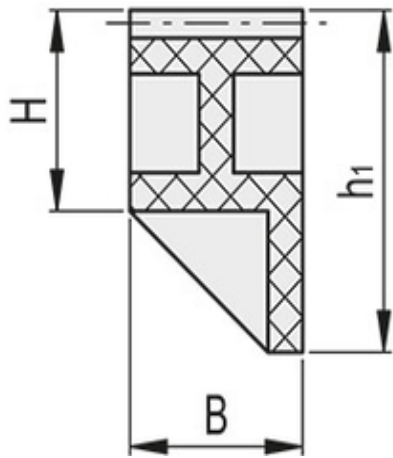
ZCR-A

Code	Description	Module M	L	B	H	a	Fmax [N]	Weight
552201	ZCR-A-1.0-350	1.0	352	15	15	8 x 8	372	261
552211	ZCR-A-1.5-250	1.5	250	17	17	8 x 8	633	190
552221	ZCR-A-1.5-500	1.5	565	17	17	8 x 8	633	422
552231	ZCR-A-2.0-250	2.0	251	20	20	10 x 10	993	275
552241	ZCR-A-2.0-500	2.0	565	20	20	10 x 10	993	620
552251	ZCR-A-3.0-250	3.0	254	30	30	15 x 15	2234	630
552261	ZCR-A-3.0-500	3.0	500	30	30	15 x 15	2234	1260
552281	ZCR-A-4.0-1000	4.0	1018	20	28	10 x 10	1986	1250



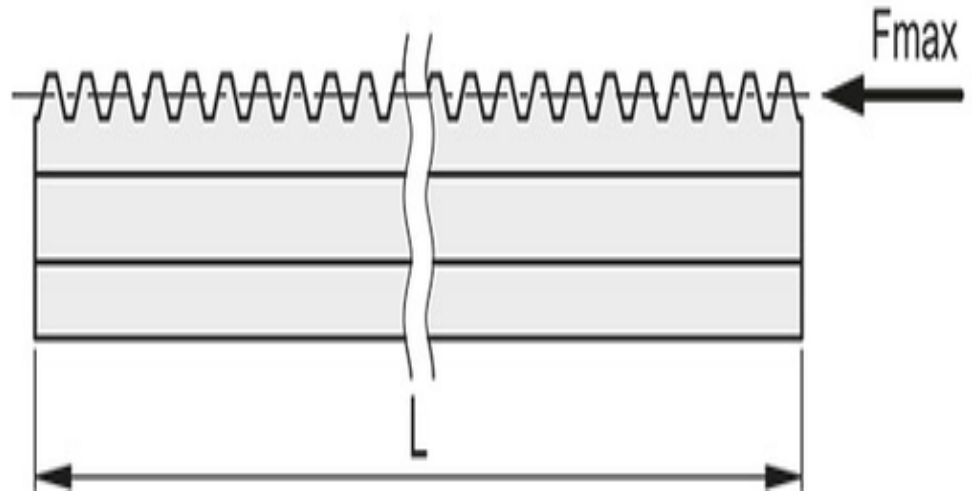
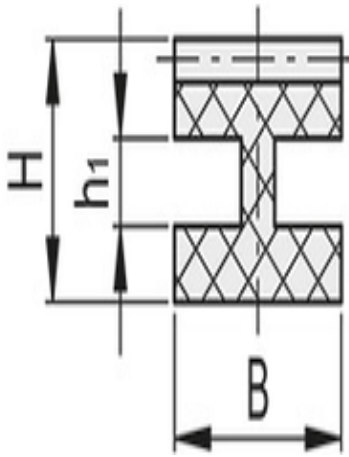
ZCR-PL

Code	Description	Module M	L	B	H	b ₁	F _{max} [N]	Weight
552101	ZCR-1.0-150-PL	1.0	151	15	15.5	25.5	372	36
552111	ZCR-1.0-250-PL	1.0	248	15	15.5	25.5	372	58



ZCR-PD

Code	Description	Module M	L	B	H	h ₁	F _{max} [N]	Weight
552121	ZCR-1.0-150-PD	1.0	151	15	15.5	26.5	372	34
552131	ZCR-1.0-250-PD	1.0	248	15	15.5	26.5	372	55



ZCR-T

Code	Description	Module M	L	B	H	h_1	F_{max} [N]	Weight
552141	ZCR-1.0-150-T	1.0	151	15	13	4	372	26
552151	ZCR-1.0-250-T	1.0	248	15	13	4	372	42

Tooth length