

GN 307

Adjustable hand levers

Zinc die casting, with bushing and washer / with threaded stud steel and washer



Specification

Handle
Zinc die casting

Plastic coated
black, RAL 9005, textured finish **SW**
orange, RAL 2004, textured finish **OS**
red, RAL 3000, textured finish **RS**
silver, RAL 9006, textured finish **SR**

Version with threaded insert

Threaded insert and retaining screw
Steel, blackened

Version with threaded stud

Threaded stud and retaining screw
Steel

- Tensile strength class 5
- blackened

Washer
Steel

- case hardened
- blackened

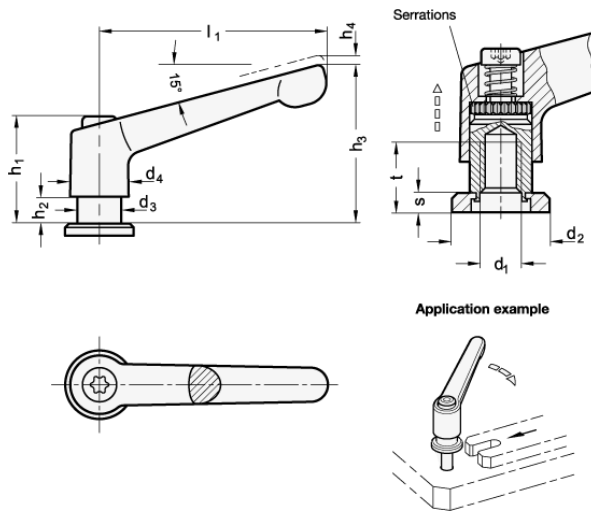
Information





Adjustable hand levers GN 307 are ideal whenever parts have to be clamped in a confined space or in a particular lever position. On releasing the handle the serrations re-engage automatically.

When pulling the handle, the serration frees itself and can be re-located into any required position. Engagement is achieved by „releasing“ the lever. The washer cannot be removed. One typical application is to use the hand lever for slots.

Technical information

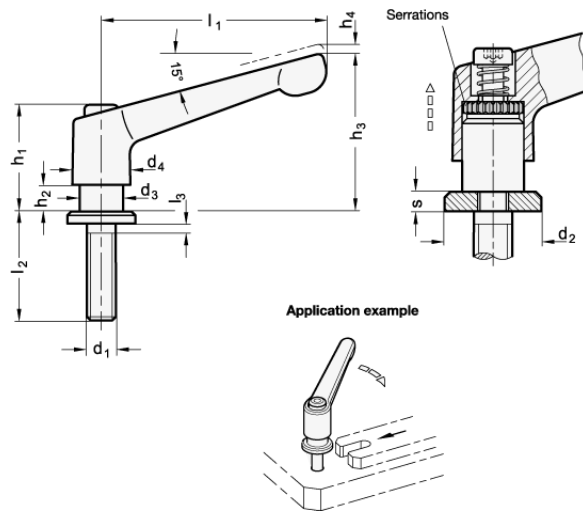
- [Strength values of screws](#)







	Black (RAL 9005)	Black
	Orange (RAL 2004)	Orange
	Red (RAL 3000)	Red
	Silver (RAL 9006)	Silver

GN 307

Description	l_1	d_1	d_2	d_3	d_4	h_1	h_2	h_3	h_4	s	t min.	Weight
GN 307-30-M5-SW	30	M 5	13	10	13	24.5	4	31	3.5	2.5	10	27
GN 307-30-M5-OS	30	M 5	13	10	13	24.5	4	31	3.5	2.5	10	27
GN 307-30-M5-RS	30	M 5	13	10	13	24.5	4	31	3.5	2.5	10	27
GN 307-30-M5-SR	30	M 5	13	10	13	24.5	4	31	3.5	2.5	10	27
GN 307-45-M6-SW	45	M 6	15	10	13	24.5	4	34	3.5	3	10	36
GN 307-45-M6-OS	45	M 6	15	10	13	24.5	4	34	3.5	3	10	36
GN 307-45-M6-RS	45	M 6	15	10	13	24.5	4	34	3.5	3	10	36
GN 307-45-M6-SR	45	M 6	15	10	13	24.5	4	34	3.5	3	10	36
GN 307-63-M8-SW	63	M 8	20	13.5	17.5	31	6.5	45	4	3.5	13	80
GN 307-63-M8-OS	63	M 8	20	13.5	17.5	31	6.5	45	4	3.5	13	80
GN 307-63-M8-RS	63	M 8	20	13.5	17.5	31	6.5	45	4	3.5	13	80
GN 307-63-M8-SR	63	M 8	20	13.5	17.5	31	6.5	45	4	3.5	13	80
GN 307-78-M10-SW	78	M 10	25	16	21	36	8	54	4	4	16	130
GN 307-78-M10-OS	78	M 10	25	16	21	36	8	54	4	4	16	130
GN 307-78-M10-RS	78	M 10	25	16	21	36	8	54	4	4	16	130
GN 307-78-M10-SR	78	M 10	25	16	21	36	8	54	4	4	16	130



	Black (RAL 9005)	Black
	Orange (RAL 2004)	Orange
	Red (RAL 3000)	Red
	Silver (RAL 9006)	Silver

GN 307

Description	l ₁	d ₁	l ₂	d ₂	d ₃	d ₄	l ₃	h ₁	h ₂	h ₃	h ₄	s	Weight
GN 307-30-M5-12-SW	30	M 5	12	13	10	13	0.4	24.5	4	31	3.5	2.5	29
GN 307-30-M5-12-OS	30	M 5	12	13	10	13	0.4	24.5	4	31	3.5	2.5	29
GN 307-30-M5-12-RS	30	M 5	12	13	10	13	0.4	24.5	4	31	3.5	2.5	29
GN 307-30-M5-12-SR	30	M 5	12	13	10	13	0.4	24.5	4	31	3.5	2.5	29
GN 307-30-M5-16-SW	30	M 5	16	13	10	13	0.4	24.5	4	31	3.5	2.5	30
GN 307-30-M5-16-OS	30	M 5	16	13	10	13	0.4	24.5	4	31	3.5	2.5	30
GN 307-30-M5-16-RS	30	M 5	16	13	10	13	0.4	24.5	4	31	3.5	2.5	30
GN 307-30-M5-16-SR	30	M 5	16	13	10	13	0.4	24.5	4	31	3.5	2.5	30
GN 307-30-M5-20-SW	30	M 5	20	13	10	13	0.4	24.5	4	31	3.5	2.5	31
GN 307-30-M5-20-OS	30	M 5	20	13	10	13	0.4	24.5	4	31	3.5	2.5	31
GN 307-30-M5-20-RS	30	M 5	20	13	10	13	0.4	24.5	4	31	3.5	2.5	31
GN 307-30-M5-20-SR	30	M 5	20	13	10	13	0.4	24.5	4	31	3.5	2.5	31
GN 307-30-M5-25-SW	30	M 5	25	13	10	13	0.4	24.5	4	31	3.5	2.5	32
GN 307-30-M5-25-OS	30	M 5	25	13	10	13	0.4	24.5	4	31	3.5	2.5	32
GN 307-30-M5-25-RS	30	M 5	25	13	10	13	0.4	24.5	4	31	3.5	2.5	32
GN 307-30-M5-25-SR	30	M 5	25	13	10	13	0.4	24.5	4	31	3.5	2.5	32
GN 307-30-M5-32-SW	30	M 5	32	13	10	13	0.4	24.5	4	31	3.5	2.5	33
GN 307-30-M5-32-OS	30	M 5	32	13	10	13	0.4	24.5	4	31	3.5	2.5	33
GN 307-30-M5-32-RS	30	M 5	32	13	10	13	0.4	24.5	4	31	3.5	2.5	33
GN 307-30-M5-32-SR	30	M 5	32	13	10	13	0.4	24.5	4	31	3.5	2.5	33
GN 307-45-M6-16-SW	45	M 6	16	15	10	15	0.4	24.5	4	34	3.5	3	40
GN 307-45-M6-16-OS	45	M 6	16	15	10	15	0.4	24.5	4	34	3.5	3	40
GN 307-45-M6-16-RS	45	M 6	16	15	10	15	0.4	24.5	4	34	3.5	3	40
GN 307-45-M6-16-SR	45	M 6	16	15	10	15	0.4	24.5	4	34	3.5	3	40
GN 307-45-M6-20-SW	45	M 6	20	15	10	15	0.4	24.5	4	34	3.5	3	41
GN 307-45-M6-20-OS	45	M 6	20	15	10	15	0.4	24.5	4	34	3.5	3	41
GN 307-45-M6-20-RS	45	M 6	20	15	10	15	0.4	24.5	4	34	3.5	3	41
GN 307-45-M6-20-SR	45	M 6	20	15	10	15	0.4	24.5	4	34	3.5	3	41
GN 307-45-M6-25-SW	45	M 6	25	15	10	15	0.4	24.5	4	34	3.5	3	42
GN 307-45-M6-25-OS	45	M 6	25	15	10	15	0.4	24.5	4	34	3.5	3	42
GN 307-45-M6-25-RS	45	M 6	25	15	10	15	0.4	24.5	4	34	3.5	3	42
GN 307-45-M6-25-SR	45	M 6	25	15	10	15	0.4	24.5	4	34	3.5	3	42
GN 307-45-M6-32-SW	45	M 6	32	15	10	15	0.4	24.5	4	34	3.5	3	43
GN 307-45-M6-32-OS	45	M 6	32	15	10	15	0.4	24.5	4	34	3.5	3	43
GN 307-45-M6-32-RS	45	M 6	32	15	10	15	0.4	24.5	4	34	3.5	3	43
GN 307-45-M6-32-SR	45	M 6	32	15	10	15	0.4	24.5	4	34	3.5	3	43
GN 307-45-M6-40-SW	45	M 6	40	15	10	15	0.4	24.5	4	34	3.5	3	44
GN 307-45-M6-40-OS	45	M 6	40	15	10	15	0.4	24.5	4	34	3.5	3	44
GN 307-45-M6-40-RS	45	M 6	40	15	10	15	0.4	24.5	4	34	3.5	3	44
GN 307-45-M6-40-SR	45	M 6	40	15	10	15	0.4	24.5	4	34	3.5	3	44
GN 307-63-M8-20-SW	63	M 8	20	20	13.5	17.5	0.4	31	6.5	45	4	3.5	91
GN 307-63-M8-20-OS	63	M 8	20	20	13.5	17.5	0.4	31	6.5	45	4	3.5	91
GN 307-63-M8-20-RS	63	M 8	20	20	13.5	17.5	0.4	31	6.5	45	4	3.5	91
GN 307-63-M8-20-SR	63	M 8	20	20	13.5	17.5	0.4	31	6.5	45	4	3.5	91
GN 307-63-M8-25-SW	63	M 8	25	20	13.5	17.5	0.4	31	6.5	45	4	3.5	92
GN 307-63-M8-25-OS	63	M 8	25	20	13.5	17.5	0.4	31	6.5	45	4	3.5	92
GN 307-63-M8-25-RS	63	M 8	25	20	13.5	17.5	0.4	31	6.5	45	4	3.5	92
GN 307-63-M8-25-SR	63	M 8	25	20	13.5	17.5	0.4	31	6.5	45	4	3.5	92
GN 307-63-M8-32-SW	63	M 8	32	20	13.5	17.5	0.4	31	6.5	45	4	3.5	95
GN 307-63-M8-32-OS	63	M 8	32	20	13.5	17.5	0.4	31	6.5	45	4	3.5	95
GN 307-63-M8-32-RS	63	M 8	32	20	13.5	17.5	0.4	31	6.5	45	4	3.5	95
GN 307-63-M8-32-SR	63	M 8	32	20	13.5	17.5	0.4	31	6.5	45	4	3.5	95

GN 307-63-M8-32-SR	63	M 8	32	20	13.5	17.5	0.4	31	6.5	45	4	3.5	95
GN 307-63-M8-40-SW	63	M 8	40	20	13.5	17.5	0.4	31	6.5	45	4	3.5	97
GN 307-63-M8-40-OS	63	M 8	40	20	13.5	17.5	0.4	31	6.5	45	4	3.5	97
GN 307-63-M8-40-RS	63	M 8	40	20	13.5	17.5	0.4	31	6.5	45	4	3.5	97
GN 307-63-M8-40-SR	63	M 8	40	20	13.5	17.5	0.4	31	6.5	45	4	3.5	97
GN 307-63-M8-50-SW	63	M 8	50	20	13.5	17.5	0.4	31	6.5	45	4	3.5	100
GN 307-63-M8-50-OS	63	M 8	50	20	13.5	17.5	0.4	31	6.5	45	4	3.5	100
GN 307-63-M8-50-RS	63	M 8	50	20	13.5	17.5	0.4	31	6.5	45	4	3.5	100
GN 307-63-M8-50-SR	63	M 8	50	20	13.5	17.5	0.4	31	6.5	45	4	3.5	100
GN 307-78-M10-20-SW	78	M 10	20	25	16	21	0.5	36	12	54	4	4	149
GN 307-78-M10-20-OS	78	M 10	20	25	16	21	0.5	36	12	54	4	4	149
GN 307-78-M10-20-RS	78	M 10	20	25	16	21	0.5	36	12	54	4	4	149
GN 307-78-M10-20-SR	78	M 10	20	25	16	21	0.5	36	12	54	4	4	149
GN 307-78-M10-25-SW	78	M 10	25	25	16	21	0.5	36	12	54	4	4	151
GN 307-78-M10-25-OS	78	M 10	25	25	16	21	0.5	36	12	54	4	4	151
GN 307-78-M10-25-RS	78	M 10	25	25	16	21	0.5	36	12	54	4	4	151
GN 307-78-M10-25-SR	78	M 10	25	25	16	21	0.5	36	12	54	4	4	151
GN 307-78-M10-32-SW	78	M 10	32	25	16	21	0.5	36	12	54	4	4	155
GN 307-78-M10-32-OS	78	M 10	32	25	16	21	0.5	36	12	54	4	4	155
GN 307-78-M10-32-RS	78	M 10	32	25	16	21	0.5	36	12	54	4	4	155
GN 307-78-M10-32-SR	78	M 10	32	25	16	21	0.5	36	12	54	4	4	155
GN 307-78-M10-40-SW	78	M 10	40	25	16	21	0.5	36	12	54	4	4	159
GN 307-78-M10-40-OS	78	M 10	40	25	16	21	0.5	36	12	54	4	4	159
GN 307-78-M10-40-RS	78	M 10	40	25	16	21	0.5	36	12	54	4	4	159
GN 307-78-M10-40-SR	78	M 10	40	25	16	21	0.5	36	12	54	4	4	159
GN 307-78-M10-50-SW	78	M 10	50	25	16	21	0.5	36	12	54	4	4	164
GN 307-78-M10-50-OS	78	M 10	50	25	16	21	0.5	36	12	54	4	4	164
GN 307-78-M10-50-RS	78	M 10	50	25	16	21	0.5	36	12	54	4	4	164
GN 307-78-M10-50-SR	78	M 10	50	25	16	21	0.5	36	12	54	4	4	164