

## Vertical hook type toggle clamps

### heavy duty type

#### SPECIFICATION

##### Types

- Type **T**: with mounting holes, without U-bolt latch, with catch
- Type **T3**: with mounting holes, with U-bolt latch, with catch
- Type **TS**: for welding, without U-bolt latch, with catch
- Type **T3S**: for welding, with U-bolt latch, with catch

Base / operating handle

Steel C22

- forged
- blackened

Catch

Sheet metal  
blackened

U-bolt latch / bearing pins

Steel St 37

zinc plated, blue passivated

All moving parts

lubricated with special grease



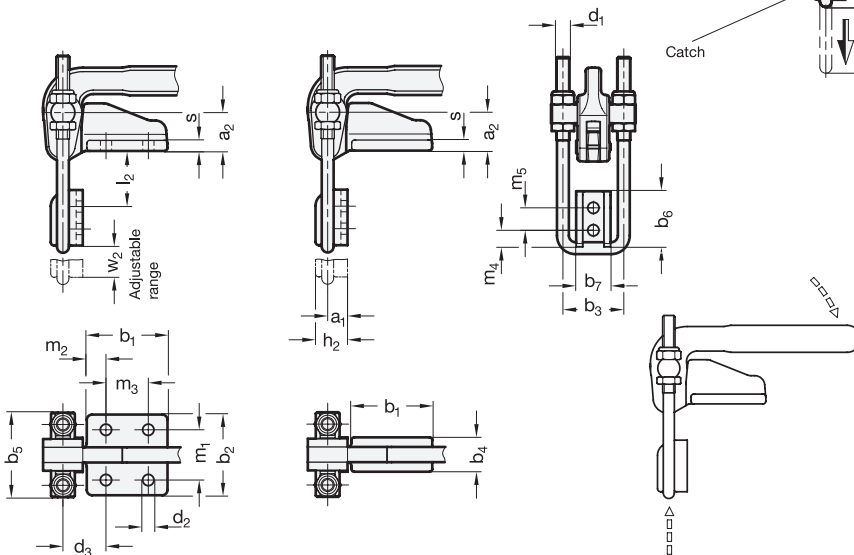
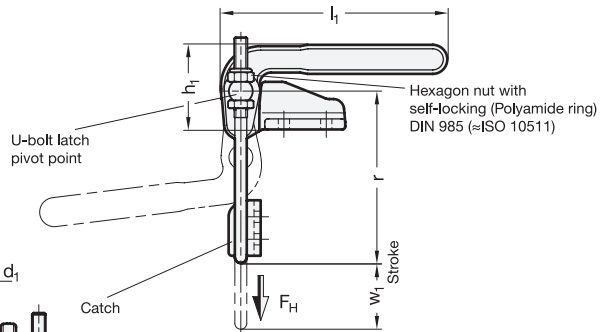
#### INFORMATION

The U-bolt latch of GN 852.1 vertical hook type toggle clamps is adjustable within the adjusting range.

Once in the clamping position, the latch bolt is perpendicular to the clamping arm and to the mounting base of the toggle clamp.

In addition to the standard lengths of the U-bolt latches shown in the table, a variety of other lengths are also available under the GN 951.2 series (see page 1605).

- General information for toggle clamps (see page 1560)



#### GN 852.1

Description	Size	FH	In	N	a1	a2	b1	b2	b3	b4	b5	b6	b7	d1	d2	d3	h1	h2	l1	l2	m1	m2	m3	m4	m5	r	s	w1	w2	△
GN 852.1-1400-T	1400	12000	-	29	61	61	46	-	64	42	26	-	8.5	32.5	64	24	171	-	38	14.5	32	12.5	17	-	8	-	-	-	954	
GN 852.1-1400-T3	1400	12000	15	29	61	61	46	-	64	42	26	M10	8.5	32.5	64	24	171	42	38	14.5	32	12.5	17	109	8	50	22	1145		
GN 852.1-1400-T3S	1400	12000	-	29	61	-	46	26	64	42	26	M10	-	-	64	24	171	42	-	-	-	12.5	17	109	8	50	22	1018		
GN 852.1-1400-TS	1400	12000	15	29	61	-	46	26	64	42	26	-	-	-	64	24	171	-	-	-	-	12.5	17	-	8	-	-	838		

