

## Bearing blocks

for Stainless Steel-Adjusting screws GN 827

### SPECIFICATION

#### Types

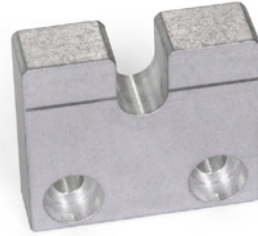
- Type **A**: with thread, mounting from above
- Type **UA**: with groove, mounting from above
- Type **UB**: with groove, mounting from the front

#### Aluminum **AM**

matte ground

Reference line

laser-engraved, black discharged



### INFORMATION

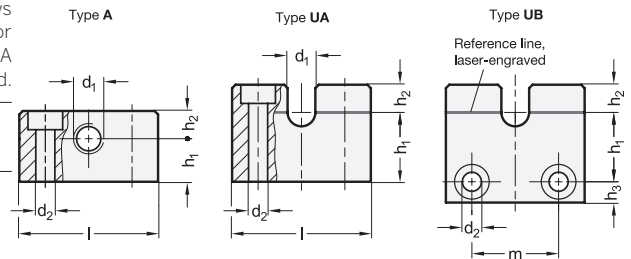
Bearing blocks GN 828 are used in combination with Stainless Steel-Adjusting screws GN 827 (see page) for simple adjustment and positioning tasks. For processing and assembly equipment on which attachments and mechanisms must be regularly exchanged, positioned and adjusted, combining Stainless Steel-Adjusting screws GN 827 (see page) with bearing blocks of type UA and UB allows for particularly simple adjustments. On the opposing part, type A or threading already present in the mounting plate can be used.

### TECHNICAL INFORMATION

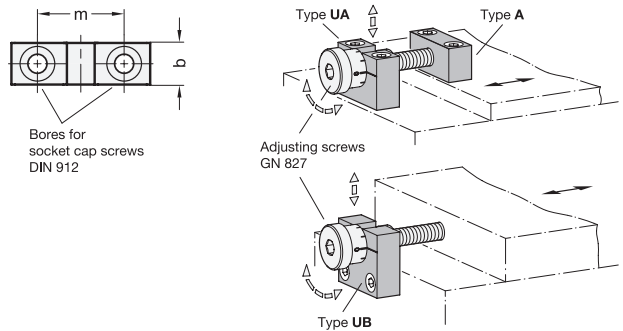
- ISO-Fundamental Tolerances (see page A21)

### ACCESSORY

- Stainless Steel-Adjusting screws GN 827 (see page)



#### Examples of application



### GN 828

Description	d1 +0.6/+0.4 Type UA/UB	h1 Type UA	h1 Type UB	b h11	d2	h2	h3	l	m	
GN 828-6-UA-10-AM	6	10	-	10	4.5	6	-	35	22	13
GN 828-6-UA-15-AM	6	15	-	10	4.5	6	-	35	22	17
GN 828-6-UA-25-AM	6	25	-	10	4.5	6	-	35	22	26
GN 828-8-UA-12-AM	8	12	-	12	5.5	8	-	40	25	20
GN 828-8-UA-20-AM	8	20	-	12	5.5	8	-	40	25	29
GN 828-8-UA-30-AM	8	30	-	12	5.5	8	-	40	25	41
GN 828-10-UA-15-AM	10	15	-	15	6.5	10	-	45	30	34
GN 828-10-UA-20-AM	10	20	-	15	6.5	10	-	45	30	42
GN 828-10-UA-30-AM	10	30	-	15	6.5	10	-	45	30	59
GN 828-6-UB-10-AM	6	-	10	10	4.5	6	5	35	22	18
GN 828-6-UB-15-AM	6	-	15	10	4.5	6	5	35	22	23
GN 828-6-UB-20-AM	6	-	20	10	4.5	6	5	35	22	28
GN 828-8-UB-15-AM	8	-	15	12	5.5	8	6	40	25	33
GN 828-8-UB-20-AM	8	-	20	12	5.5	8	6	40	25	39
GN 828-8-UB-30-AM	8	-	30	12	5.5	8	6	40	25	52
GN 828-10-UB-20-AM	10	-	20	15	6.5	10	7.5	45	30	59
GN 828-10-UB-25-AM	10	-	25	15	6.5	10	7.5	45	30	68
GN 828-10-UB-35-AM	10	-	35	15	6.5	10	7.5	45	30	86

### GN 828

Description	d1 Type A	h1 Type A	b h11	d2	h2	l	m	
GN 828-M6x1-A-5-AM	M6x1	5	10	4.5	6	35	22	8
GN 828-M6x1-A-10-AM	M6x1	10	10	4.5	6	35	22	12
GN 828-M6x1-A-20-AM	M6x1	20	10	4.5	6	35	22	21
GN 828-M8x1-A-8-AM	M8x1	8	12	5.5	8	40	25	16
GN 828-M8x1-A-15-AM	M8x1	15	12	5.5	8	40	25	24
GN 828-M8x1-A-20-AM	M8x1	20	12	5.5	8	40	25	30
GN 828-M10x1-A-10-AM	M10x1	10	15	6.5	10	45	30	28
GN 828-M10x1-A-20-AM	M10x1	20	15	6.5	10	45	30	44
GN 828-M10x1-A-30-AM	M10x1	30	15	6.5	10	45	30	60